

INVERTEC® 160SX

Spare Parts.....	1
INVERTEC® 160SX	1
Figure A.....	1
Figure A: Machine Assembly 160SX.....	2
Electrical Schematic.....	3
160SX code 52101/52119.....	3



THE WELDING EXPERTS®

Lincoln Electric Bester Sp. z o.o.
ul. Jana III Sobieskiego 19A, 58-263 Bielawa, Poland
www.lincolnelectric.eu

Spare Parts

SP52101/52119 rev03
07/03

INVERTEC® 160SX

ASSEMBLY PAGE NAME			Machine Assembly					
CODE NO.:	K NO.:	FIGURE NO.:	A					
52101	K12050-1	160SX CE	1					
52119	K12050-2	160SX AUS	2					

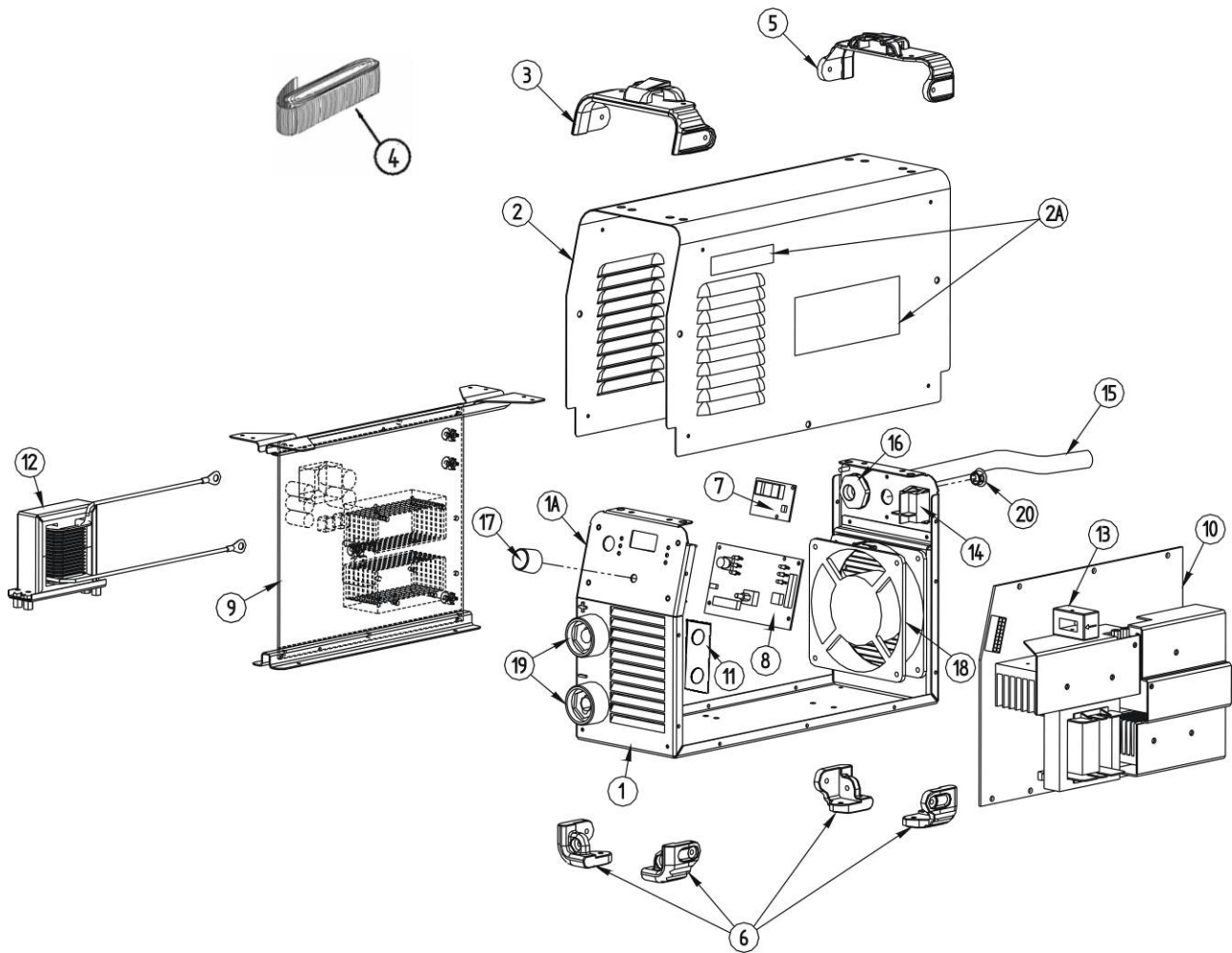


Figure A

Figure A: Machine Assembly 160SX

Item	Description	Part Number	QTY	1	2	3	4	5	6
1	MAIN FRAME	W93X1307R	1	X	X				
1A	+ FRONT NAMEPLATE	+ W07X1302R	1	X	X				
2	WRAPAROUND	W93X1360R	1	X	X				
2A	+ KIT SIDE NAMEPLATES INVERTEC	+ W07X1186R	2	X	X				
3	FRONT HANDLE	W95X1148-1R	1	X	X				
4	CARRYING STRAP	W92X1189R	1	X	X				
5	REAR HANDLE	W95X1148-2R	1	X	X				
6	KIT 4 ANTI-SLIP FOOT	W95X1149R	1	X	X				
7	DISPLAY P.C. BOARD	W05X1344R	1	X	X				
8	CONTROL P.C. BOARD	W05X1319R	1	X	X				
9	INPUT BOOST P.C. BOARD	W05X1281R	1	X	X				
10	INVERTER P.C. BOARD	W05X1280R	1	X	X				
11	OUTPUT FILTER CAPACITORS	W05X1459R	1	X	X				
12	BOOST INDUCTANCE	W58X1299R	1	X	X				
13	HALL SENSOR	W4900003R	1	X	X				
14	MAINS SWITCH	W7516224R	1	X	X				
15	INPUT CORD CE NO PLUG	W78X1447R	1	X	•				
	INPUT CORD AUS WITH PLUG	R-5041-390-1R	1	•	X				
16	CABLE CLAMP	W8400006R	1	X	X				
		W8400007R							
17	KNOB	W8700022R	1	X	X				
18	FAN	W7200016R	1	X	X				
19	DINSE CONNECTOR	W7690350R	2	X	X				
20	PLASTIC COVER CAP	W7900322R	1	X	X				

